

## Click-On. Dual-stack LOR-7 module

The Click-on Dual-stack LOR-7 module enabled by the LoRaWAN® standard or wM-BUS offers versatile connectivity options for IoT applications.

Installation on water meters for taking readings from the speed disk using optical sensors and data transmission via LoRaWAN® or connect using wM-BUS (EU EN13757-4).

Field of application: water supply systems for cold water with the temperature up to 30°C, for water with the temperature up to 50°C or for hot water with the temperature up to 130°C used in the multifamily buildings, public buildings and measuring points.

### Supported meters

- JS Smart+ (up to R100)
- Single-jet dry water meters (DN15-20)
- JS Q3 Master+ (C+; D+), JS130 Q3 Master+ (C+; D+) (manufacturer Apator Powogaz S.A., Poland)

The Dual-stack LOR-7 module works by integrating two communication protocols into a single device, allowing it to support both LoRaWAN® and wM-BUS connectivity.

1. LoRaWAN® Communication: The module can communicate with LoRaWAN® networks. It transmits and receives data packets over long distances, making it ideal for IoT applications that require low power, long-range connectivity.

2. wM-BUS Communication: The module also supports the wM-BUS protocol, which is commonly used for wireless metering applications. It enables the module to communicate using the wM-BUS (EN13757-4 standard) for data transmission.

Dual-Stack Capability: The module is designed to handle both LoRaWAN® or wM-BUS communication independently. This dual-stack capability allows for flexible deployment in diverse IoT scenarios where devices may need to communicate using either connection technics.

Users can configure the module's settings, such as network parameters, communication frequency, data rate, and encryption keys, to ensure seamless integration with the target network infrastructure.

### Specifications

Installation method

**Click-On. Directly on the water meter. Dual-stack LoRaWAN® or wM-BUS**

Water meter pulse counting method

**Optical sensor**

Frequency plans supported by default

**EU 868: 863-870 MHz**

Activation type

**OTAA**

Transmitter power

**25 mW**

Radio coverage within line of sight

**Up to 5 km**

Number of daily billing entries

**Up to 349**

Battery

**LiSOCL<sub>2</sub> 3.6V Type AA / SAFT LS14500**

Operating temperatures

**0...+55 °C**

Ingress protection rating

**IP65, IP68\* (special request)**

Package dimensions (height; D)

**43 mm; 66 mm**

Weight (without antenna)

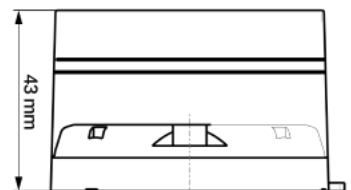
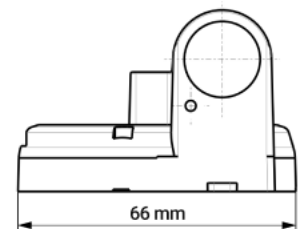
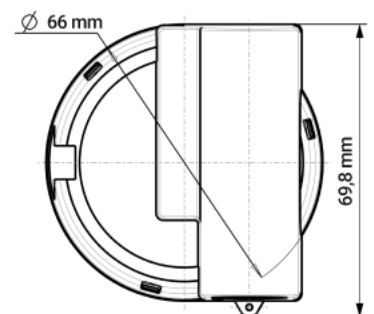
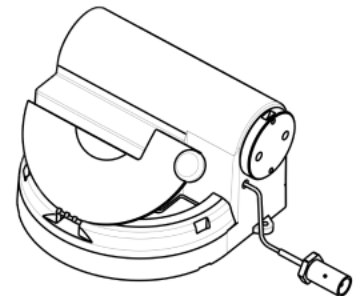
**0,07 kg**

Antenna type

**External, SMA connector 1,5m cable length**

Battery life (1 transmit / day)

**>10 years**



Use of the LoRa Alliance® Member and LoRaWAN® marks is pursuant to license from the LoRa Alliance®