

Click-On. Dual-stack LOR-4 module

The Click-on Dual-stack LOR-4 module enabled by the LoRaWAN® standard or wM-BUS offers versatile connectivity options for IoT applications.

Installation on water meters for taking readings from the speed disk using optical sensors and data transmission via LoRaWAN® or connect using wM-BUS (EU EN13757-4).

Field of application: are assigned to industrial measurements of water usage up to 30 degrees of cold water and up to 130 degrees of hot water in relatively regular and strong flow rate.

Supported meters

- Propeller (Woltman) water meters with a horizontal rotor axis, parallel to the piping. Measuring range up to R200
- MWN, MWN 130 Nubis; -NKOP, MWN/JS, MP, MK, MH, MWN, MWN/JS (DN from 40 to 125), JS (DN from 40 to 100) (production "Aptor Powogaz S.A.", Poland)

The Dual-stack LOR-4 module works by integrating two communication protocols into a single device, allowing it to support both LoRaWAN® and wM-BUS connectivity.

1. LoRaWAN® Communication: The module can communicate with LoRaWAN® networks. It transmits and receives data packets over long distances, making it ideal for IoT applications that require low power, long-range connectivity.

2. wM-BUS Communication: The module also supports the wM-BUS protocol, which is commonly used for wireless metering applications. It enables the module to communicate using the wM-BUS (EN13757-4 standard) for data transmission.

Dual-Stack Capability: The module is designed to handle both LoRaWAN® or wM-BUS communication independently. This dual-stack capability allows for flexible deployment in diverse IoT scenarios where devices may need to communicate using either connection technics.

Users can configure the module's settings, such as network parameters, communication frequency, data rate, and encryption keys, to ensure seamless integration with the target network infrastructure.

Specifications

Installation method

Click-On. Directly on the water meter. Dual-stack LoRaWAN® or wM-BUS

Water meter pulse counting method

Optical sensor

Frequency plans supported by default

EU 868: 863-870 MHz

Activation type

OTAA

Transmitter power

25 mW

Radio coverage within line of sight

Up to 5 km

Number of daily billing entries

Up to 349

Battery

LiSOCL₂ 3.6V Type AA / SAFT LS14500

Operating temperatures

0...+55 °C

Ingress protection rating

IP65, IP68* (special request)

Package dimensions (height; D)

43 mm; 66 mm

Weight (without antenna)

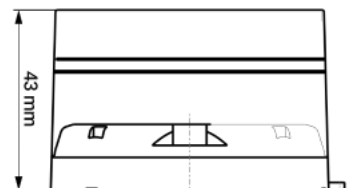
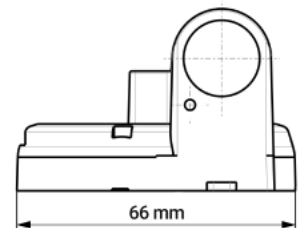
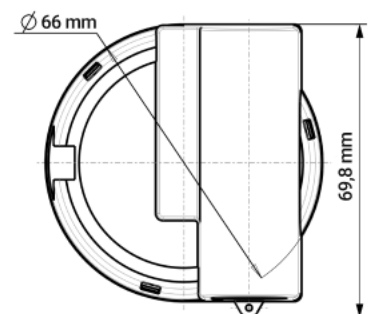
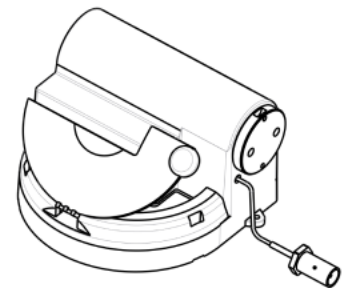
0,07 kg

Antenna type

External, SMA connector 1,5m cable length

Battery life (1 transmit / day)

>10 years



Use of the LoRa Alliance® Member and LoRaWAN® marks is pursuant to license from the LoRa Alliance®